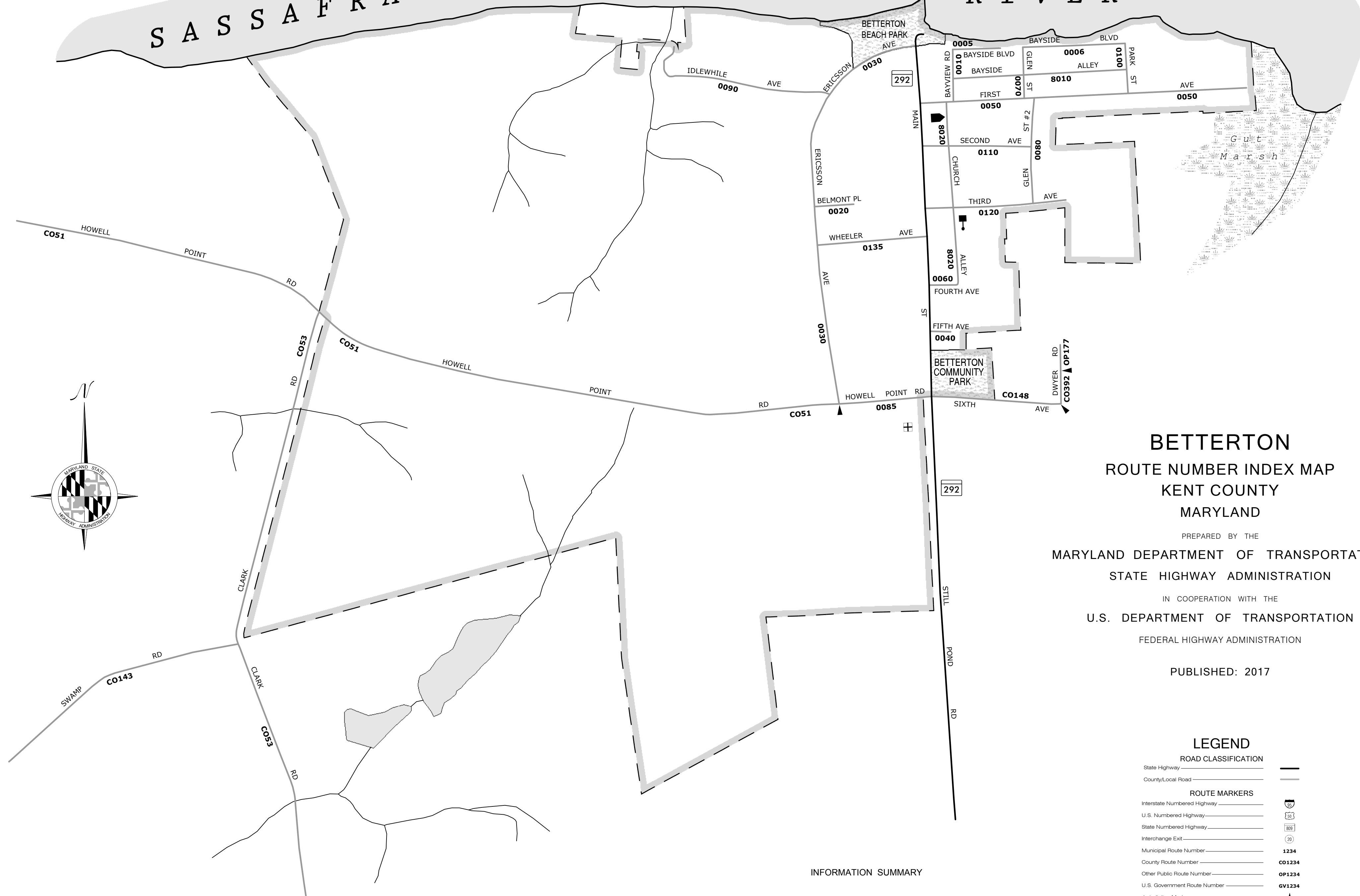


SASSAFRAS

RIVER



BETTERTON
ROUTE NUMBER INDEX MAP
KENT COUNTY
MARYLAND

PREPARED BY THE
MARYLAND DEPARTMENT OF TRANSPORTATION
STATE HIGHWAY ADMINISTRATION
 IN COOPERATION WITH THE
U.S. DEPARTMENT OF TRANSPORTATION
FEDERAL HIGHWAY ADMINISTRATION

PUBLISHED: 2017

LEGEND

- ROAD CLASSIFICATION**
- State Highway
 - County/Local Road
- ROUTE MARKERS**
- Interstate Numbered Highway
 - U.S. Numbered Highway
 - State Numbered Highway
 - Interchange Exit
 - Municipal Route Number
 - County Route Number
 - Other Public Route Number
 - U.S. Government Route Number
 - Jurisdiction Marker
- ROADSIDE CULTURE**
- Armory
 - Boundary Monument
 - Building/Structure
 - Camping Facility
 - College (Junior)
 - College/University
 - City/Town Hall
 - Courthouse
 - Md. Dept. of Agriculture Farmers Market
 - Fire/Rescue
 - Garage/SHA/County/Municipal
 - Gate/Barricade
 - Golf Course/Country Club
 - Hospital
 - Hospital w/ 24 hour Emergency Room
 - Library
 - Lighthouse
 - Motor Vehicle Administration
 - Park and Ride Location
 - Police Station
 - Post Office
 - Radio/Microwave/TV Tower
 - Salt Dome
 - School
 - Shopping Center/Mall
 - VEP Station
 - Welcome Center
 - Yacht Club/Marina

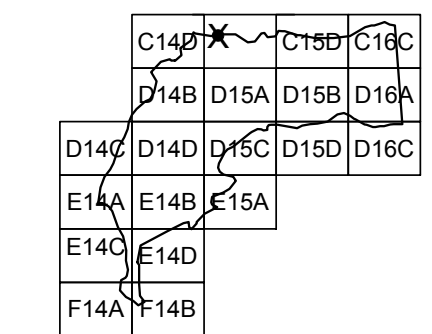
INFORMATION SUMMARY

BOUNDARY:
 ACTS OF GENERAL ASSEMBLY, 1983
 DECEMBER 28, 2007
 HIGHWAYS REVISED TO JANUARY 1, 2017
 PHOTO REVISED, 2016
 CENSUS 345 (2010)

THIS MAP WAS CREATED USING MARYLAND STATE PLANE
 COORDINATE 5,000 FOOT GRID VALUES BASED ON
 THE 1983/1991 NORTH AMERICAN DATUM (NAD) HARN.

DISCLAIMER: THE DATA AND RELATED MATERIALS CONTAINED HEREIN ARE PROVIDED
 'AS IS' AND WERE CREATED TO MEET A SPECIFIC BUSINESS NEED OF THE
 MARYLAND STATE HIGHWAY ADMINISTRATION (SHA). ANY OTHER USE, WHILE NOT
 PROHIBITED, IS THE SOLE RESPONSIBILITY OF THE USER WHO SHALL ASSUME ALL
 LIABILITY REGARDING THE FITNESS OF USE OF THE INFORMATION.
 MUNICIPAL BOUNDARIES ARE BASED ON DATA OBTAINED FROM THE
 MARYLAND DEPARTMENT OF PLANNING (MDP).

STATEWIDE GRID MAP KEY



TOWN LOCATED ON GRID MAP C15C
 MUNICIPAL INDEX MAP REVISED TO JANUARY 1, 2017

