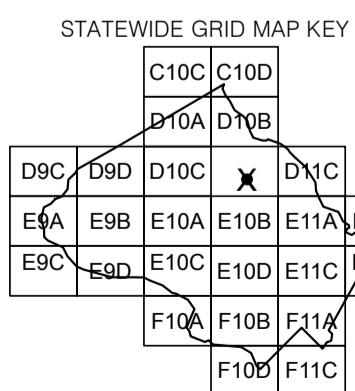


**LEGEND**

- ROAD CLASSIFICATION**
- State Highway
  - County/Local Road
- ROUTE MARKERS**
- Interstate Numbered Highway
  - U.S. Numbered Highway
  - State Numbered Highway
  - Interchange Exit
  - Municipal Route Number
  - County Route Number
  - Other Public Route Number
  - U.S. Government Route Number
  - Jurisdiction Marker

**ROADSIDE CULTURE**

- Army
- Boundary Monument
- Building/Structure
- Camping Facility
- College (Junior)
- College/University
- City/Town Hall
- Courthouse
- Md. Dept. of Agriculture Farmers Market
- Fire/Rescue
- Garage/SHA/County/Municipal
- Gate/Barricade
- Golf Course/Country Club
- Hospital
- Hospital w/ 24 hour Emergency Room
- Library
- Lighthouse
- Motor Vehicle Administration
- Park and Ride Location
- Police Station
- Post Office
- Radio/Microwave/TV Tower
- Salt Dome
- School
- Shopping Center/Mall
- VEIP Station
- Welcome Center
- Yacht Club/Marina



TOWN LOCATED ON GRID MAP D10D  
MUNICIPAL INDEX MAP REVISED TO JANUARY 1, 2017

**INFORMATION SUMMARY**

BOUNDARY:  
ACTS OF GENERAL ASSEMBLY, 1983  
REVISED TO FEBRUARY 18, 2005  
HIGHWAYS REVISED TO JANUARY 1, 2017  
PHOTO REVISED: 2014  
CENSUS 353 (2010)

THIS MAP WAS CREATED USING MARYLAND STATE PLANE  
COORDINATE 5,000 FOOT GRID VALUES BASED ON  
THE 1983/1991 NORTH AMERICAN DATUM(NAD) HARN.

DISCLAIMER: THE DATA AND RELATED MATERIALS CONTAINED HEREIN ARE PROVIDED  
"AS IS" AND WERE CREATED TO MEET A SPECIFIC BUSINESS NEED OF THE  
MARYLAND STATE HIGHWAY ADMINISTRATION (SHA). ANY OTHER USE, WHILE NOT  
PROHIBITED, IS THE SOLE RESPONSIBILITY OF THE USER WHO SHALL ASSUME ALL  
LIABILITY REGARDING THE FITNESS OF USE OF THE INFORMATION.  
MUNICIPAL BOUNDARIES ARE BASED ON DATA OBTAINED FROM THE  
MARYLAND DEPARTMENT OF PLANNING (MDP).

**LAYTONSVILLE  
ROUTE NUMBER INDEX MAP  
MONTGOMERY COUNTY  
MARYLAND**

PREPARED BY THE  
**MARYLAND DEPARTMENT OF TRANSPORTATION  
STATE HIGHWAY ADMINISTRATION**  
IN COOPERATION WITH THE  
**U.S. DEPARTMENT OF TRANSPORTATION  
FEDERAL HIGHWAY ADMINISTRATION**

PUBLISHED: 2017

